

PRODUCT FAMILY DATASHEET

FLOODLIGHT SENSOR 10 W

Floodlight with flexible motion and daylight sensor, 10 W power consumption



AREAS OF APPLICATION

- Replacement for floodlights with halogen lamps
- Outdoor use (IP65)
- Public areas
- Building facades
- Construction areas
- Gardens, balconies and other outdoor areas

PRODUCT BENEFITS

- Bright, robust and durable
- Demand optimized illumination due to flexible and programmable sensor
- Easy adjustment of sensor range, daylight detection and hold time
- Always-on override, activated via special mains switching pattern
- Safe and very uniform illumination, due to frosted and tempered glass diffuser
- No upper light output ratio (ULOR 0%) when mounted at 0° tilt
- Energy savings of up to 90 % compared to halogen lamp floodlights
- 5 years guarantee

PRODUCT FEATURES

- Flexible motion and daylight sensor
- Sensor with 350° pan and 180° tilt
- Reflector-based, symmetric light distribution with 100° x 100° beam angle
- Integrated wide voltage driver, suitable for 100 - 277 V AC



- Surge protection: up to 4 kV (L/N-PE), 2 kV (L-N)
- Mounting bracket with 30° angle and wide rotation area
- Pre-installed, flexible 1 m cable (H05RN-F), wrapped 3 x 1.0 mm² single wires

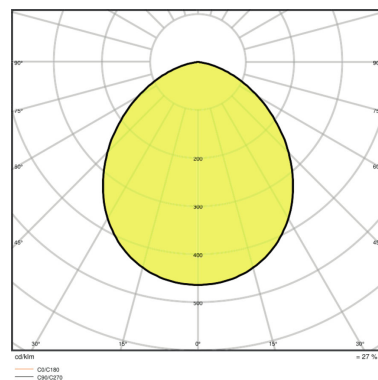
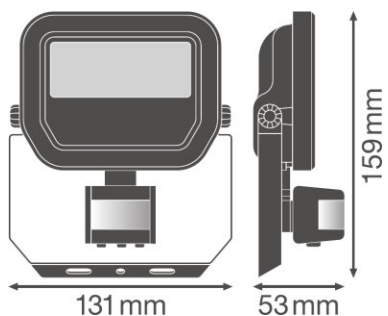
TECHNICAL DATA

| Product description | Electrical data | | | Photometrical data | | | Light technical data | Luminaire sensor data | Dimensions & weight | | |
|---|-----------------|-----------------|-----------------|--------------------|---------------------------|--------------------------|----------------------|-----------------------|---------------------|----------|---------|
| | Nominal wattage | Nominal voltage | Mains frequency | Luminous flux | Light color (designation) | Color rendering index Ra | Beam angle | Type of sensor | Length | Width | Height |
| FL PFM 10 W 3000 K SYM 100 S BK ¹⁾ | 10.00 W | 100...277 V | 50/60 Hz | 1100 lm | Warm White | ≥80 | 100 ° x 100 ° | Motion / Light | 159.0 mm | 131.0 mm | 53.0 mm |
| FL PFM 10 W 3000 K SYM 100 S WT ¹⁾ | 10.00 W | 100...277 V | 50/60 Hz | 1100 lm | Warm White | ≥80 | 100 ° x 100 ° | Motion / Light | 159.0 mm | 131.0 mm | 53.0 mm |
| FL PFM 10 W 4000 K SYM 100 S BK ¹⁾ | 10.00 W | 100...277 V | 50/60 Hz | 1200 lm | Cool White | ≥80 | 100 ° x 100 ° | Motion / Light | 159.0 mm | 131.0 mm | 53.0 mm |
| FL PFM 10 W 4000 K SYM 100 S WT ¹⁾ | 10.00 W | 100...277 V | 50/60 Hz | 1200 lm | Cool White | ≥80 | 100 ° x 100 ° | Motion / Light | 159.0 mm | 131.0 mm | 53.0 mm |

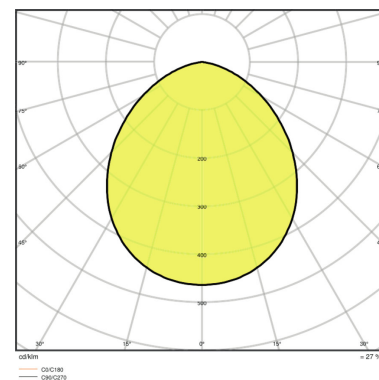
| Product description | Product weight | Colors & materials | | | Temperatures & operating conditions | Lifespan | | |
|---|----------------|--------------------|---------------|---------------|-------------------------------------|----------------------------|---------------------------|---------------------------|
| | | Body material | Housing color | Product color | Ambient temperature range | Number of switching cycles | Lifespan L70/B50 at 25 °C | Lifespan L80/B10 at 25 °C |
| FL PFM 10 W 3000 K SYM 100 S BK ¹⁾ | 440.00 g | Aluminum | Black | Black | -30...+50 °C | 100000 | 70000 h | 55000 h |
| FL PFM 10 W 3000 K SYM 100 S WT ¹⁾ | 440.00 g | Aluminum | White | White | -30...+50 °C | 100000 | 70000 h | 55000 h |
| FL PFM 10 W 4000 K SYM 100 S BK ¹⁾ | 440.00 g | Aluminum | Black | Black | -30...+50 °C | 100000 | 70000 h | 55000 h |
| FL PFM 10 W 4000 K SYM 100 S WT ¹⁾ | 440.00 g | Aluminum | White | White | -30...+50 °C | 100000 | 70000 h | 55000 h |

| Product description | Lifespan L90/B10 at 25 °C | Capabilities | | | Certificates & standards | | | Logistical data |
|---|---------------------------|--------------|----------|--------------------|--------------------------|--------------------|---|------------------------------|
| | | Adjustable | Dimmable | Type of connection | Protection class | Type of protection | Luminaire with limited surface temperature, class "D" | Temperature range at storage |
| FL PFM 10 W 3000 K SYM 100 S BK ¹⁾ | 35000 h | Yes | No | Cable, 3-pole | I | IP65 | No | -40...+70 °C |
| FL PFM 10 W 3000 K SYM 100 S WT ¹⁾ | 35000 h | Yes | No | Cable, 3-pole | I | IP65 | No | -40...+70 °C |
| FL PFM 10 W 4000 K SYM 100 S BK ¹⁾ | 35000 h | Yes | No | Cable, 3-pole | I | IP65 | No | -40...+70 °C |
| FL PFM 10 W 4000 K SYM 100 S WT ¹⁾ | 35000 h | Yes | No | Cable, 3-pole | I | IP65 | No | -40...+70 °C |

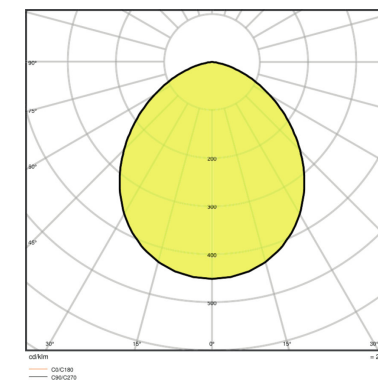
¹⁾ Available from September 2020



FL PFM 10 W 3000 K SYM 100 S BK

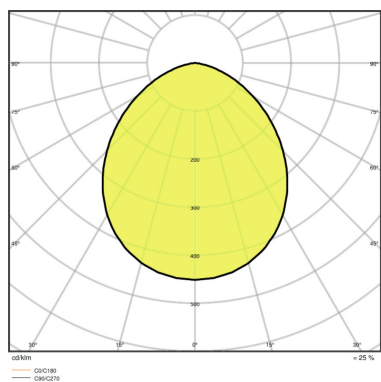


FL PFM 10 W 3000 K SYM 100 S WT



FL PFM 10 W 4000 K SYM 100 S BK

FL PFM 10 W 3000 K SYM 100 S BK, FL PFM 10 W 3000 K SYM 100 S WT, FL PFM 10 W 4000 K SYM 100 S BK, FL PFM 10 W 4000 K SYM 100 S WT



FL PFM 10 W 4000 K SYM 100 S WT

APPLICATION ADVICE

For more detailed application information and graphics please see product datasheet.

LOGISTICAL DATA

| Product code | Packaging unit (Pieces/Unit) | Dimensions (length x width x height) | Gross weight | Volume |
|---------------|------------------------------|--------------------------------------|--------------|-----------------------|
| 4058075460843 | Shipping carton box 12 | 403 mm x 283 mm x 184 mm | 6509.00 g | 20.99 dm ³ |
| 4058075460867 | Shipping carton box 12 | 403 mm x 283 mm x 184 mm | 6509.00 g | 20.99 dm ³ |
| 4058075460881 | Shipping carton box 12 | 403 mm x 283 mm x 184 mm | 6509.00 g | 20.99 dm ³ |
| 4058075460904 | Shipping carton box 12 | 403 mm x 283 mm x 184 mm | 6509.00 g | 20.99 dm ³ |

The mentioned product code describes the smallest quantity unit which can be ordered. One shipping unit can contain one or more single products. When placing an order, for the quantity please enter single or multiples of a shipping unit.

REFERENCES / LINKS

For Guarantee see

- ▶ www.ledvance.com/guarantee

DISCLAIMER

Subject to change without notice. Errors and omission excepted. Always make sure to use the most recent release.